

Thank you for purchasing TOA's Megaphone. Please carefully follow the instructions in this manual to ensure long, trouble-free use of your equipment.

1. SAFETY PRECAUTIONS

- Before installation or use, be sure to carefully read all the instructions in this section for correct and safe operation.
- Be sure to follow all the precautionary instructions in this section, which contain important warnings and/or cautions regarding safety.
- After reading, keep this manual handy for future reference.

⚠ CAUTION
 Indicates a potentially hazardous situation which, if mishandled, could result in moderate or minor personal injury, and/or property damage.

- **Cautions on Use**
 Be sure to observe the following instructions. Failing to observe may cause hearing impairment.
 - Reduce the volume to its lowest setting before use.
 - Never use the megaphone in close proximity to a person's ear.
 - Point the megaphone toward the ground when conducting operational tests.
- Make sure to observe the following handling precautions so that a fire or personal injury does not result from leakage or explosion of the battery.
 - Do not short, disassemble, heat nor put the battery into a fire.
 - Avoid using both new and old batteries together.
 - Never charge batteries of the type which are not rechargeable.
 - Do not solder a battery directly.
 - Be sure to use the specified type of batteries.
 - Note correct polarity (positive and negative orientation) when inserting a battery in the unit.
 - Avoid locations exposed to the direct sunlight, high temperature and high humidity when storing batteries.

2. GENERAL DESCRIPTION

A handheld 15 W megaphone with removable microphone. Can be used as a shoulder-type megaphone when the microphone is detached. Handle and microphone with anti-bacteria treatment improve hygiene and safety during use.

3. HANDLING PRECAUTIONS

- The ER-3215 megaphone is not waterproof. Avoid exposure to rain or environments where it may be splashed by water or other liquids.
- Immediately contact your TOA dealer if the following irregularities should occur. To avoid unit failure, make no further attempt to use the unit in these conditions.
 - Smoke coming from the unit or a strange smell detected.
 - Water or other foreign objects get inside the unit.
 - No sound heard (after checking to be sure that the batteries are loaded in correct orientation, and satisfactorily charged).
- Avoid storing the unit in humid or dusty locations, in locations exposed to direct sunlight, near heaters, or exposed to sooty smoke, as these conditions may result in unit failure.
- When batteries are left installed in the megaphone for extended periods of time, be sure to check them periodically for charge and leakage.
- Do not use the unit for extended periods of time with a distorted sound output. This could cause the inner parts to become hot and possibly result in unit failure.
- Noise may be produced when a mobile phone is used near the unit. However, this is not a failure. Use the mobile phone as far as possible from the unit.
- Use a tightly wrung-out damp cloth to clean the unit. If the unit becomes extremely dirty, use a cloth moistened in a neutral detergent and tightly wrung-out. Never use volatile liquids such as benzene, thinner, or alcohol to clean the unit, as these may deform or discolor its case.

4. SPECIFICATIONS

Power Source	C (R14P) battery x 6 (9 V DC)
Output	Rated 15 W, Max. 23 W
Battery Life*1	Approx. 9 hours
Audible Range*2	Approx. 400 m
Diaphragm	Polyimide film (voice coil, bobbin)
Anti-bacteria Treatment	Mouth and handle
Operating Temperature	-10°C to +40°C
Finish	Horn: ABS resin, light gray Others: ABS resin, gray
Dimensions	210 (w) x 291 (h) x 381 (d) mm (when attaching the microphone)
Weight	Body: 1.15 kg (without batteries and microphone) Microphone: 150 g (cable excluded)

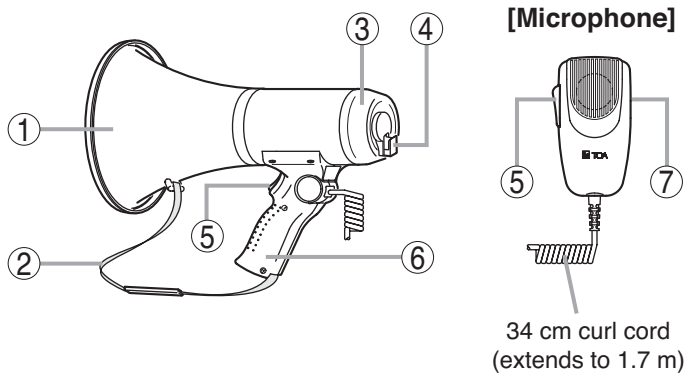
*1 Battery life estimates assume 30 minutes of continuous use per day.

*2 Audible range estimates assume use on a relatively quiet street using new batteries and will vary depending on remaining battery capacity, surrounding noise, wind direction, obstacles and other environmental conditions.

Notes

- No accessory batteries are supplied.
- The design and specifications are subject to change without notice for improvement.

5. NOMENCLATURE AND FUNCTIONS



1. Speaker (outer horn)

2. Shoulder strap

Use this strap to hang the unit from the shoulder for transport or use.
(Length: approx. 1 m)

3. Battery cover

The battery compartment is built inside. Turn the cover counterclockwise to open it and clockwise to close it.

4. Microphone hanger

Hook the microphone onto this hanger.

Note

To avoid damage, do not use excessive force when hooking the microphone.

5. Talk switch

Press to talk (power turns ON). Release to turn the power OFF.

Note

Pressing either talk switch at the handle or microphone turns the power on for use.

6. Handle

The handle with anti-bacteria treatment improve hygiene and safety during use.

7. Volume control

Rotate upward to increase output volume.



6. REPLACING THE BATTERIES

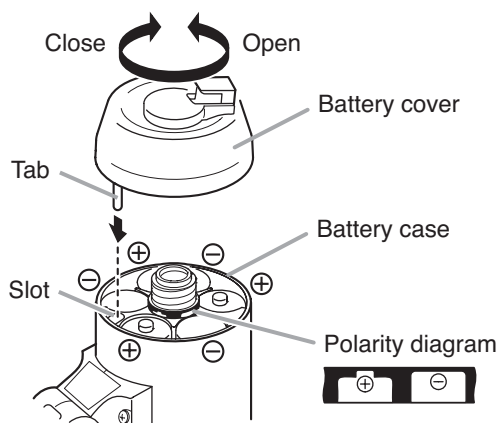
Step 1. Rotate the battery cover counterclockwise to remove it.

Note

Detach the microphone from the hanger in advance.

Step 2. Insert six C batteries referring to the polarity diagram on the inside of the battery compartment.

Step 3. Insert the tab on the inside of the battery cover into the slot in the battery compartment as shown and turn the battery cover clockwise until tight.



7. HOW TO USE

⚠ CAUTION

- Before pressing the talk switch, fully turn down the volume.
- Point the megaphone toward the ground when conducting operational tests.

Step 1. Detach the microphone from the microphone hanger.

Note

Use the talk switch on the handle to activate the megaphone for use, even when the microphone is attached to the hanger. The hanger can rotate 360° to allow easy microphone positioning.

Step 2. Using the volume control, adjust the volume to an appropriate level that does not generate feedback when holding down the talk switch.

Howling is more likely to occur when using the megaphone indoors or in other reverberant places. Particularly when the batteries are new, it may be impossible to adjust the volume to maximum without causing howling. In such cases, set the volume to about mid-level.

Step 3. Speak into the microphone while holding it about 1 cm away from the mouth.

Note

Speaking too far from the microphone or in too soft voice may result in insufficient volume.

[When Attaching the Microphone]

Reduce the volume to its lowest setting, then press the microphone onto the hanger. Leaving the volume set higher can cause howling if the talk switch is accidentally pressed when attaching or removing the microphone.

Traceability Information for Europe (EMC directive 2004/108/EC)

Manufacturer:
TOA Corporation
7-2-1, Minatojima Nakamachi, Chuo-ku, Kobe, Hyogo, Japan

Authorized representative:
TOA Electronics Europe GmbH
Suederstrasse 282, 20537 Hamburg, Germany