

## DESCRIPTION

The RM-200X is a dedicated unit for the VX-2000 system, and permits emergency broadcast as well as general-purpose broadcast.

## SPECIFICATIONS

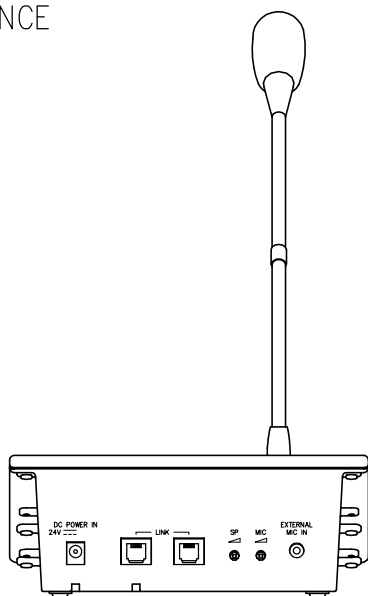
\* 0 dB = 1 V

Power Source	24 V DC (operating range: 16 – 40 V DC), supplied from RJ45 connector or power input jack (non-polarity type) Usable power input plug: 5.5 mm outer diameter, 2.1 mm inner diameter, and 9.5 mm long.
Current Consumption	Under 200 mA (RM-200X), 750 mA (with 9 RM-210s connected)
Audio Output	0 dB*, 600 Ω, balanced, RJ45 connector
Gooseneck Microphone	Unidirectional electret condenser microphone
External Microphone Input	-40 dB*, 2.2 kΩ, unbalanced, mini jack, phantom powering
Distortion	Under 1%
Frequency Response	100 – 20,000 Hz
S/N Ratio	Over 60 dB
Internal Monitor Speaker	200 mW
Volume Control	Microphone volume control, Monitor speaker volume control
Number of Function Keys	15, extendable up to 105 (with 9 RM-210s connected)
Key Extension	10 keys extension per RM-210, EXTENSION connector
Number of Connectable Units	8 (include RM-200XF)
Communication System	LONWORKS Twisted Pair Free Topology Transceiver
Connection Cable and Connector	Category 5 STP cable, RJ45 connector
Communication Distance	500 m (Free topology wiring)
Finish	ABS resin, blueish gray (PANTONE 538 or its equivalent)
Dimensions	190 (W) × 76.5 (H) × 215 (D) mm (gooseneck microphone excluded)
Weight	850 g

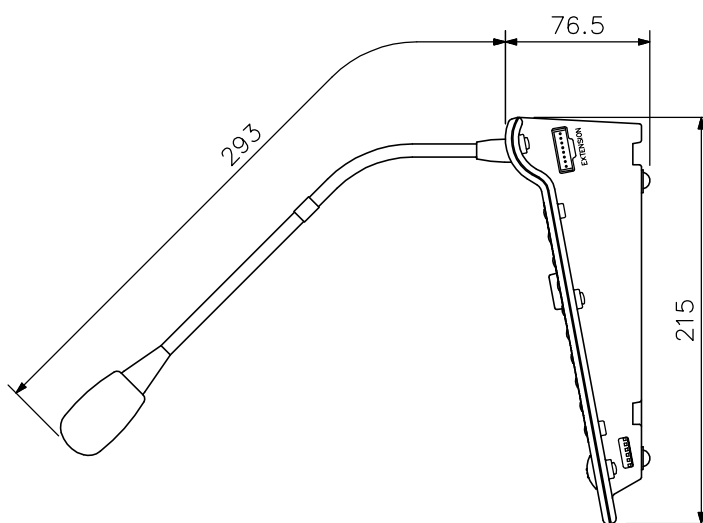
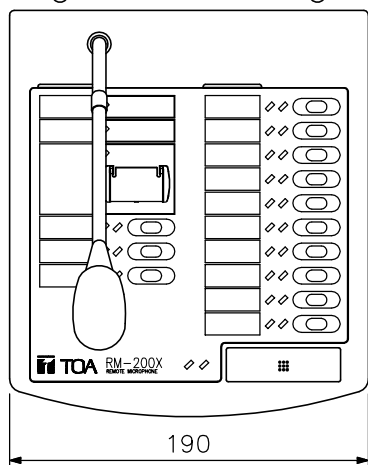
Note: LONWORKS is a trademark of Echelon Corporation.

## APPEARANCE

Rear View



Top View



Side View

UNIT: mm SCALE: 1/4