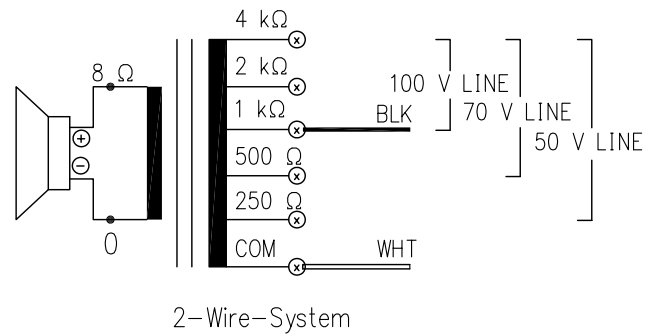
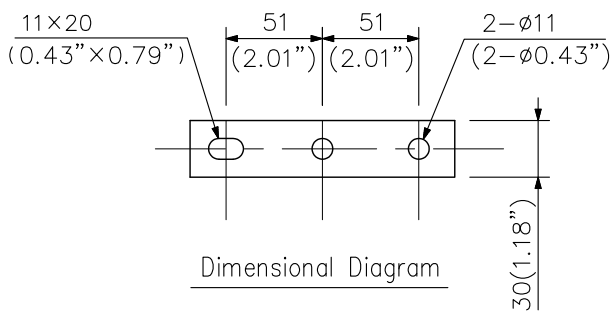
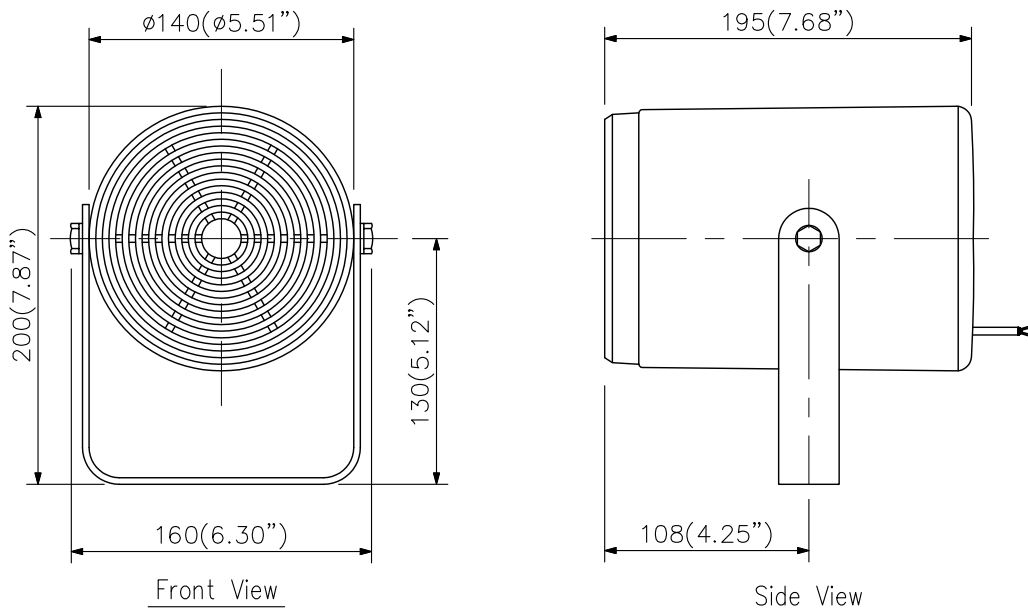


■ SPECIFICATIONS

| | |
|----------------------|---|
| Rated Input | 10 W (50 V, 70 V, 100 V Line) |
| Input Impedance | 100 V Line : 1 kΩ (10 W), 2 kΩ (5 W), 4 kΩ (2.5 W) 70 V Line : 500 Ω (10 W), 1 kΩ (5 W), 2 kΩ (2.5W), 4 kΩ (1.25 W) 50 V Line : 250 Ω (10 W), 500 Ω (5 W), 1 kΩ (2.5 W), 2 kΩ (1.25 W), 4 kΩ (0.63 W) |
| Preset Impedance | 1 kΩ |
| Sound Pressure Level | 92 dB (1 m, 1 W) at 1 kHz |
| Speaker Component | 12 cm |
| Frequency Response | 65 Hz – 15 kHz |
| Finish | Cabinet, Cover: ABS Resin, off-white Bracket: SPCC, off-white |
| Dimensions | 160 (W) × 200 (H) × 195 (D) mm (6.3" × 7.87" × 7.68") |
| Weight | 1.8 kg (3.97 lb) |

Note: Avoid installing the speaker in locations which vibrate considerably, or under environments easy to be oil-contaminated.

■ APPEARANCE



UNIT:mm SCALE:1/4