

DESCRIPTION

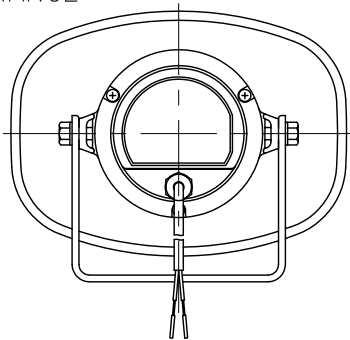
The SC-615 is a compact, highly intelligible speaker suited to public address announcement applications. Its external speaker component finished with powder coating, and stainless steel bracket and screws ensure the unit's weatherproof capability.

SPECIFICATIONS

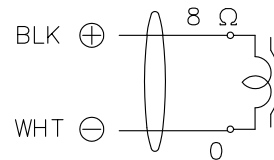
| | |
|--|---|
| Rated Input | 15 W (Mobile Mount use: 10 W) |
| Rated Impedance | 8 Ω |
| Sound Pressure Level | 112 dB (1 W, 1 m at 500 Hz to 2.5 kHz peak level) |
| Frequency Response | 280 Hz – 12.5 kHz |
| Sensitivity when used as Microphone (0 dB=1 mW/10 dynes/cm ²) | -22 dB at 1 kHz |
| Dust/Water Protection | IP65 |
| Polarity | Hot: Black , Com: White |
| Operating Temperature | -20 °C to +55 °C (must be free from dew condensation) |
| Finish | Horn flare: Aluminum, off-white, powder coating Reflector horn and rear cover: ABS resin, off-white Bracket, screws and bolts: Stainless steel Speaker cable: Polyvinyl chloride insulated cabtyre cable (6 mm in diameter, 600 mm in length) |
| Dimensions | 222 (W) × 179 (H) × 234 (D) mm |
| Weight | 1.1 kg |
| Option | Swivel bracket: YS-151S (Can be used instead of the supplied bracket.) |

Note: Avoid installing the speaker in locations which vibrate considerably, or under environments easy to be oil-contaminated.

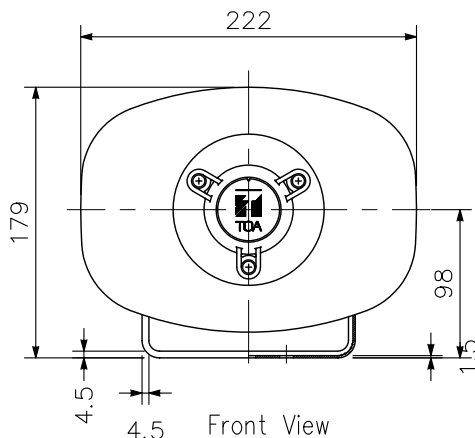
APPEARANCE



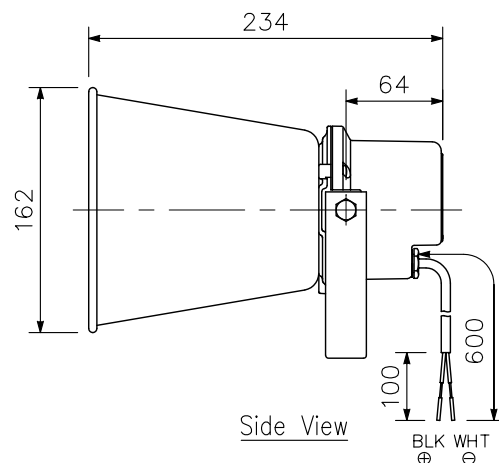
Rear View



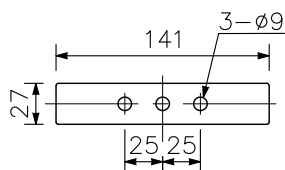
Wiring diagram



Front View



Side View



Bracket dimensional diagram

UNIT:mm SCALE:1/5