



MASK12(T)
Instruction manual

Features



Introduction

Thank you for buying the Apart MASK12(T) speaker. With this new member of the MASK series, we have once again broken new ground in sonic performance and installer convenience. The MASK12(T) speaker is meant for fixed indoor installations. Available in 8 ohms and 100 volt, MASK12(T) can be used in many full range applications where a medium to high sound pressure level is required.

The multi-angle plywood cabinet, equipped with 14 rigging points for shoulder eye bolts, and the optional wall/ceiling brackets allow you to safely install the speaker in many different positions, be it in a horizontal or vertical position, close to the ceiling or at the wall. With a weight of only 19.2 kgs (8 ohm version) or 21.4 kgs (100 volt version), the speaker is easy to install.

As usual, these Apart speakers will convince you in terms of sound quality, reliability and setup versatility. Paired with our Revamp series amplifiers, your sound system will be taken to a new level of performance.

Please read this manual carefully before using the product. This will give you the necessary product and installation instructions to assure a seamless installation and non-compromised overall sound quality.

Unpacking

Upon receipt of this product, check the carton and packing materials for any damage caused by transport. Carefully unpack the product and check that all parts are present and in undamaged condition. Notify your dealer and/or the shipping company immediately if any damage has occurred during transport. Keep the carton and packing materials in case you have to return the product.

Safety precautions

- Everyone who is involved with the installation and/or operation of this product must read and understand all local safety regulations and instructions.
- Keep this manual for future reference.
- Avoid the presence of fire and flames and do not operate the product in the presence of heat sources, flammable liquids or gases.
- Take care of your speaker wires, they must be free of damage. Damaged speaker wires may result in poor sound quality and can damage amplifiers, other parts of the audio chain and can cause injury caused by exposure to high voltages.
- No main power shall be connected to the loudspeakers, doing so will damage the speaker.
- This speaker should only be serviced by qualified personnel. If not, warranty will be void.
- Use cables of the right gauge, certainly for long runs.
- Use cables with clear color indication and maintain polarity throughout the whole system.
- For indoor use only. Do not expose the unit to outdoor weather conditions.
- Use mounting hardware that can support the weight of the device in a safe way.
- Inspect all mounting hardware periodically and tighten screws when necessary.
- Do not expose the speaker to excessive temperature, moisture or vibrations.

- Do not spill liquids on the product and/or other parts in the audio chain.
- Always pair the speaker with a matching amplifier, in terms of load impedance and output power.
- Avoid amplifier clipping, loud feedback, popping noise from other devices and continuous high power output or distorted signals.
- When turning on the power of your audio system, always turn on the power amplifier last to avoid popping signals. For this reason, always turn off the power amplifier first.
- Avoid ground loops in audio systems.
- Always follow these basic instructions when operating or installing the product.
- Warning: this speaker is capable of producing high sound pressure levels that can cause permanent hearing loss.
- Apart audio is not responsible for any damage or injury caused by improper installation or use of this product.
- Repairs, servicing and electrical connections must be carried out by qualified personnel only.

Speaker connection (8 ohm version)



Input: the signal from a power amplifier must be connected to the input/link speakon[®] connector. The connectors are equivalent and internally wired in parallel. Connector 1+ (positive) and 1- (negative) are used. 2+ and 2- are not connected.

Speaker connection (100 volt version)



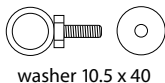
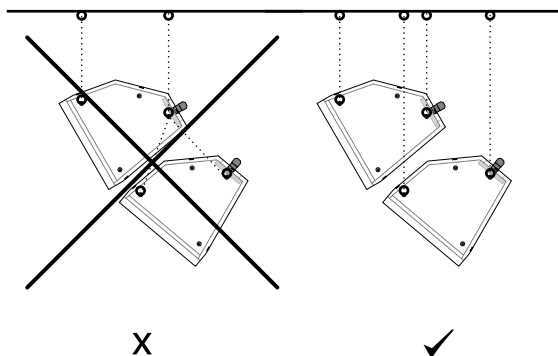
Input: the signal from a power amplifier must be connected to the input/link euroblock connector. The connectors are equivalent and internally wired in parallel.

Power select: set to 120W or 240W position according to your specific needs.

Speaker line voltage select: set to 100 volt or 70 volt position depending on the actual speaker line specification.

Speaker installation

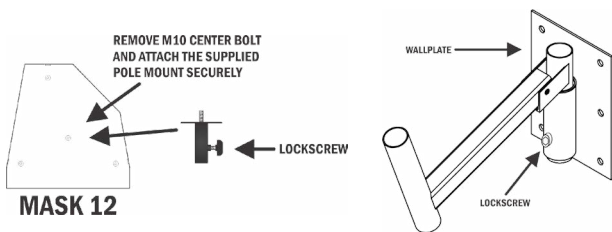
Install the speaker on the wall or ceiling using our optional U-bracket. Make sure the wall, ceiling, surface, structure and additional mounting hardware are capable of safely supporting the speaker's weight. When suspending the speaker with chains, make sure to mount the M10 shoulder eye bolts (not supplied) on more than one side of the speaker. Use at least 3 chains, for example, one at the top of the speaker, and 2 on each side. Adjust the length of the chain(s) to position the speaker correctly. Do not attempt to suspend multiple speakers on the same set of chains or brackets. For safety reasons, every speaker must be mounted using its own set of chains or brackets.



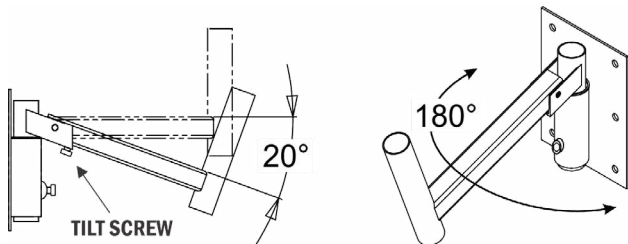
M10 Shoulder eye bolt and washer
(not supplied)

Installation using MASK12PBRA-BL (optional)

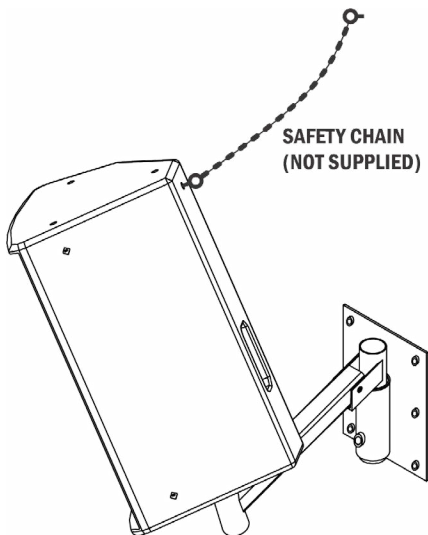
To install the MASK12 speaker on the bracket, remove the center M10 bolt from the bottom of the speaker. Attach the pole mount (supplied with the MASK12PBRA-BL) securely by fastening the mount on the speaker.



Fix the wall plate on a sufficiently strong wall using all 6 mounting holes. Always use mounting hardware (not supplied) capable of supporting the load safely. The speaker arm can be swiveled over a 180° angle from left to right and can be tilted down up to 20° by turning the tilt screw. Mount the speaker with the attached speaker pole mount on the bracket and secure it by tightening the lock screws.

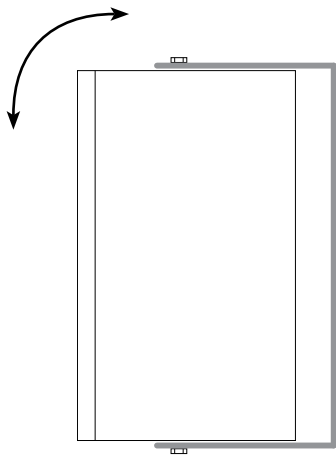
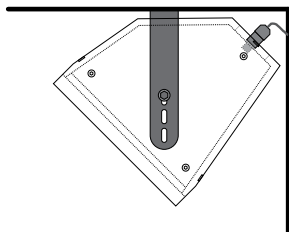


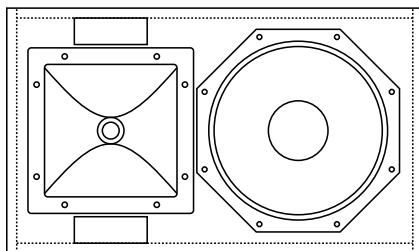
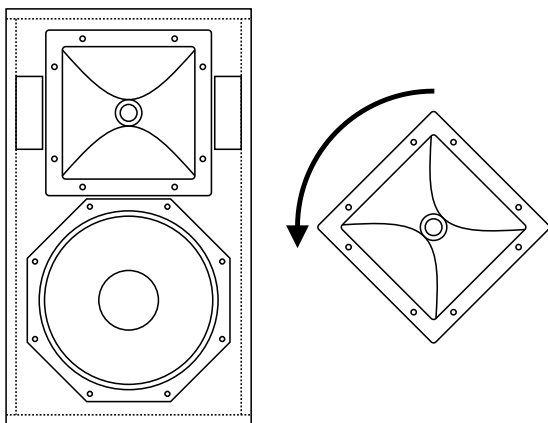
For your safety, we strongly advise to secure the speaker using a safety chain. The chain and the necessary mounting hardware(eyebolts) are not supplied with this bracket. The chain and the attachment eyebolts should be capable of supporting at least 12 times the weight of the speaker. Mount the safety chain in such a way that the speaker or the supporting hardware won't drop more than 20 cm.



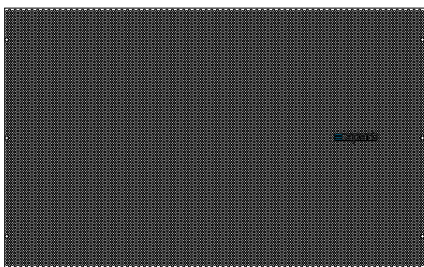
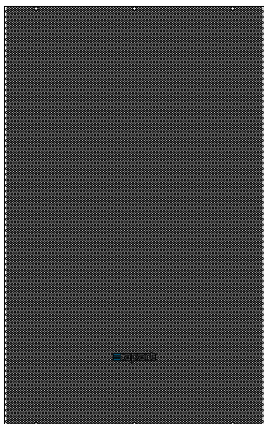
Installation using MASK12UBRA (optional)

The high frequency horn has a nominal dispersion angle of $90^{\circ}\text{H} \times 70^{\circ}\text{V}$. When the speaker is mounted horizontally, we advise to rotate the high frequency horn by 90° to ensure the 90° horizontal dispersion angle. The Apart logo on the grille can also be rotated. In order to mount the speaker close to the ceiling, one side of the speaker is angled.

*on-wall**on-ceiling*



rotate HF horn 90° for horizontal orientation



rotate logo 90° for horizontal orientation

Model name	MASK12 (low impedance)
type	2-way professional fixed installation PA speaker, dual vent bass reflex
cabinet	plywood, scratch resistant textured paint
grille	powder coated perforated steel grille
woofer	12" paper cone with 75 mm vented voice coil, 180 mm ceramic magnet, die cast frame
high frequency horn	rotatable constant directivity horn 90°H x 70°V, 25 mm exit
high frequency driver	34 mm compression driver with titanium diaphragm, 100 mm ceramic magnet and kapton voice coil
mounting hardware	14 x M10 nut
nominal impedance	8 ohm
RMS power @ 8 ohm	700 watts
AES rated	350 watt
protection	HF overload protection
SPL 1 watt / 1m	98 dB
SPL peak	127 dB
frequency response (-10 dB)	48 Hz - 22 KHz
connector	2 x Speakon, wired in parallel: 1+ to 1+ and 1- to 1-. 2+ and 2- are not connected
dispersion	90° H x 70° V, rotatable horn
IP rating	Indoor use only (IP40)
dimensions (h x w x d)	628 x 370 x 370 mm
weight	19.2 kg
Accessories	mounting brackets MASK12UBRA-BL, MASK12UBRA-W, MASK12PBRA-BL

Model name	MASK12T (100 volt)
type	2-way professional fixed installation PA speaker, dual vent bass reflex
cabinet	plywood, scratch resistant textured paint
grille	powder coated perforated steel grille
woofer	12" paper cone with 75 mm vented voice coil, 180 mm ceramic magnet, die cast frame
high frequency horn	rotatable constant directivity horn 90°H x 70°V, 25 mm exit
high frequency driver	34 mm compression driver with titanium diaphragm, 100 mm ceramic magnet and kapton voice coil
mounting hardware	14 x M10 nut
line voltage	100 - 70 volts
power settings	240 - 120 watts
Impedance	100V / 240W: 41.6 ohms 100V / 120W: 83 ohms 70V / 240W: 20.4 ohms 70V / 120W: 41 ohms
protection	HF overload protection
SPL 1 watt / 1m	98 dB
SPL peak	122 dB
frequency response (-10 dB)	48 Hz - 22 KHz
connector	2 x euroblock, wired in parallel
dispersion	90° H x 70° V, rotatable horn
IP rating	Indoor use only (IP40)
dimensions (h x w x d)	628 x 370 x 370 mm
weight	21.4 kg
Accessories	mounting brackets MASK12UBRA-BL, MASK12UBRA-W, MASK12PBRA-BL

Warranty info

Warranty claims and claims for hidden defects can be considered only if the defects appear within the warranty period of 24 months and are notified within 8 days following their appearance per registered letter.

The warranty is not valid in case of an incident, wear, for moving parts, power surges, inadequate packing or shipping, improper use or storage and the disregard of recommendations of Audioprof.

The warranty only concerns the spare parts and not the involved labor, transportation or any other costs.

The product must be returned in the original packaging with the proof of purchase by an Audioprof authorized reseller.

The general terms and conditions can be found here:

http://www.apart-audio.com/conditions/General_Terms_and_Conditions_Audioprof.pdf

developed
by
Audioprof nv
Industriepark Brechtsebaan 8 bus 1
2900 Schoten - Belgium

Company names, product names and trademarks are property of their respective owners.

Apart-Audio specifications are subject to change without notice.

