

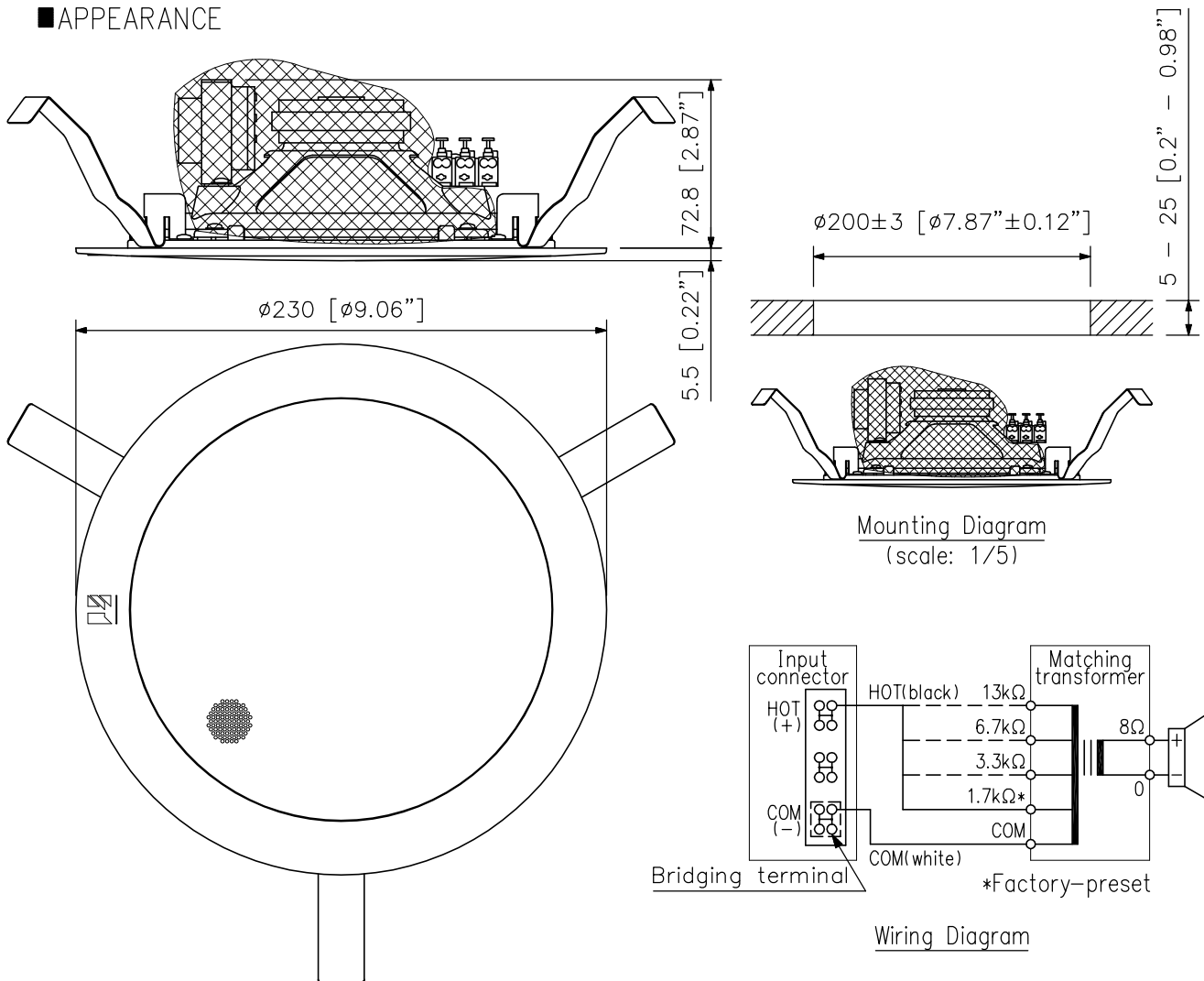
DESCRIPTION

Integrated with a speaker unit and panel, the PC-2369 Ceiling Mount Speaker is of all metallic construction and ideal for use in a voice alarm system. It features a spring clamp mechanism for easy speaker mounting to the ceiling. The input impedance can be easily changed by changing the tap position of the transformer. The push-in type input terminal block makes cable connections easy and allows bridge wiring.

SPECIFICATIONS

Rated Input	6 W (100 V line), 3 W (70 V line)
Rated Impedance	100 V line: 1.7 kΩ (6 W), 3.3 kΩ (3 W), 6.7 kΩ (1.5 W), 13 kΩ (0.8 W) 70 V line: 1.7 kΩ (3 W), 3.3 kΩ (1.5 W), 6.7 kΩ (0.8 W), 13 kΩ (0.4 W)
Sensitivity	93 dB (1 W, 1 m) (500 - 5,000 Hz, pink noise)
Frequency Response	45 - 20,000 Hz (peak -20 dB)
Speaker Component	16 cm (6") double cone-type
Dimensions for Fixing Hole	Mounting hole: $\phi 200 \pm 3$ mm ($\phi 7.87" \pm 0.12"$) Ceiling thickness: 5 - 25 mm (0.2" - 0.98")
Speaker Mounting Method	Spring clamp
Applicable Cable	600 V vinyl-insulated cable (IV wire or HIV wire) Solid copper wire: $\phi 0.8$ - $\phi 1.6$ mm (equivalent to AWG 20 - 14) 7-core twisted copper wire: 0.75 - 1.25 mm ² (equivalent to AWG 18 - 16)
Connection	Push-in connector (bridging terminal-2 branch type)
Finish	Baffle: Steel plate, off-white (RAL 9010 or equivalent color), paint Grille: Surface-treated steel plate net, off-white (RAL 9010 or equivalent color), paint
Dimensions	$\phi 230 \times 79$ (D) mm ($\phi 9.06" \times 3.11"$)
Weight	760 g (1.68 lb)
Accessory	Paper pattern *1

APPEARANCE



UNIT: mm SCALE: 1/3